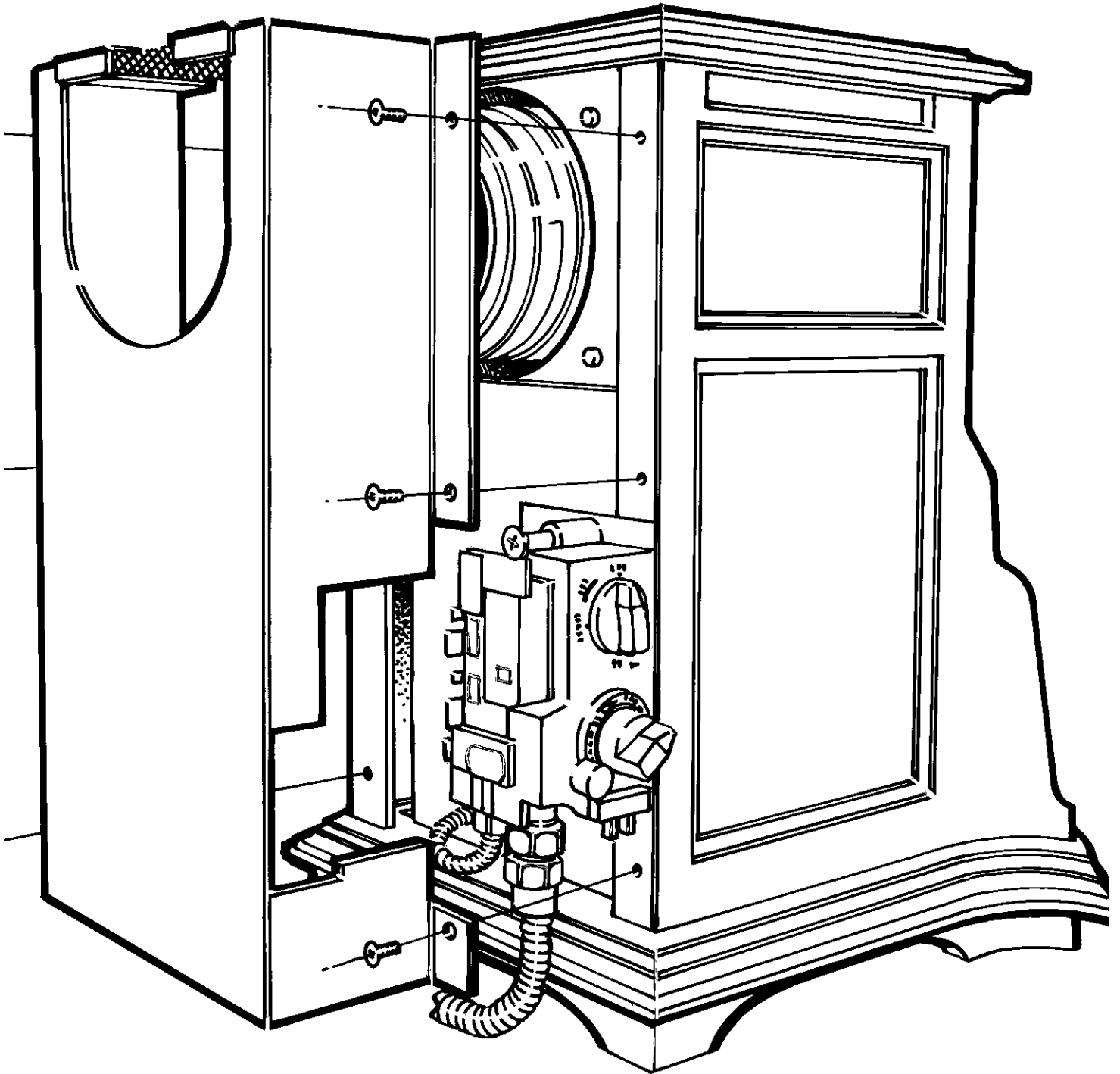


APPENDIX A. PARTS LIST AND REAR EXPLODED VIEW DIAGRAM



Parts List

Mini Franklin Direct Vent Fireplace **WARNING: Do not use substitute materials.**

STONE

G-307	Top Soapstone
G-307A	Front Soapstone (upper)
G-307B	Front Soapstone (lower)
G-308A	Right Side Soapstone (set)
G-308B	Right Side Soapstone (set)

CAST IRON

G-301	Base
G-302	Left Side Wall
G-303	Right Side Wall
G-304	Top
G-305	Front

SHEET METAL

G-306	Firebox
G-310	Pressure Relief Door
G-312	Control Valve Mounting Plate
G-313	Outer DV Flue Adapter
G-314	Inner Sleeve Adapter
G-316	Window Frame
G-317	Top Stone Retainer
G-318	Top Heat Shield
G-319L	Left Inner Side Shield
G-319R	Right Inner Side Shield
G-320	Outer Side Heat Shield
G-321	Under Front Stone Retainer
G-322	Under Front Heat Shield
G-323	Over Front Heat Shield
G-324	Rear Panel with Grille
G-334	Bottom Heat Shield

MISCELLANEOUS

G-272/273	Pilot Assembly
G-20d/e/f	Cap Orifice
G-325	Venturi Tube
G-326	Manifold Tube
G-330	Flex Line w/ Coupler
G-331	MF C1 Burner Pan Gasket
G-332a	Ember Bed
G-332b	Logset
G-333	Maxitrol Valve w/ 4 port option
G-336	Aluminum Port Plugs/Caps
G-337a	LP-Minimum Rate Screw
G-337b	NG-Minimum Rate Screw

GLASS

G-315	Glass
-------	-------

GASKET

G-2101	.375MX Fiberglass
G-2102	.187 Fiberglass Gasket
G-2103	.500 Fiberglass Gasket
G-2104	Flat Fiberglass Gasket
G-2105	Fiberglass Window Gasket
G-335	Pilot Assembly Gasket

ACCESSORIES

G-475	Remote Control (Maxitrol) & Receiver
G-476	Connecting Cable for Remote

To order parts, or for
information about parts or
service, please contact:

Woodstock Soapstone Company, Inc.
66 Airpark Road
West Lebanon, NH 03784

Tel: 800-866-4344
Fax: 603-298-5958