

# PARTS LIST

## Cast Iron Parts

|           |  |
|-----------|--|
| W-174     | Fallaway Handle                                      |
| W-203     | Leg  |
| W-207     | Door Frame   |
| W-234     | Base   |
| W-239     | Flue Collar  |
| W-240     | Palladian Front Wall                                 |
| W-271     | Keystone Front Wall                                  |
| W-241     | Rear Wall  |
| W-242     | Top  |
| W-206     | Palladian Flue Cover                                 |
| W-274     | Keystone Flue Cover                                  |
| K-267     | Palladian Door Assembly                              |
| K-272     | Keystone Door Assembly                               |
| K-232/233 | Key/Pall Door Knob & Latch Kit                       |
| W-231     | Grate  |
| W-235     | Ash Door   |
| W-236     | Ash Door Lock  |
| W-237     | Ash Door Handle                                      |
| W-238     | Palladian Glass Retainer                             |
| W-243     | Combustor Box Bottom <i>(built prior to 06/2013)</i> |
| W-244     | Combustor Box Top <i>(built prior to 06/2013)</i>    |
| W-245     | Combustor Pan  |
| W-246     | Clamp Frame  |
| W-250     | Bypass Frame   |
| W-251     | Left Top Bracket                                     |
| W-252     | Right Top Bracket                                    |
| W-253     | Bypass Cover   |
| W-254     | Bypass Lift Guide                                    |
| W-255     | Damper   |
| W-256     | Damper Guide   |
| W-257     | Damper Handle  |
| W-258     | Instruction Plate                                    |
| W-259     | Rear Stone Retainer                                  |
| W-260     | Air Guide  |
| W-264     | Bypass Retainer (pair)                               |
| W-269     | Keystone Glass Retainer                              |
| W-270     | Keystone Andiron                                     |
| W-273     | Keystone Door Stone Retainer                         |

## Steel/Sheet Metal Parts

|          |   |
|----------|---|
| K-5311   | Stainless Steel Catalytic Combustor with Frame <i>(built after 06/2013)</i> |
| K-531-SS | Stainless Steel Catalytic Combustor <i>(built prior to 06/2013)</i>         |
| K-805    | Stainless Steel Scoop Assembly  |
|          | W-805 Scoop plate & screen  |
|          | W-2601 Scoop Post w/ thru holes   |
|          | W-2593 Cotter Pins  |
| W-2591   | Bypass Actuator Handle  |
| W-261    | Combustor Heat Shield   |
| W-262    | Stainless Steel Bypass Shaft  |
| W-263    | U-Bolt  |
| W-265    | Damper Link   |
| W-291    | Ash Pan w/ Lid  |
| W-293    | V-Pocket  |
| W-294    | Bottom Heat Shield  |
| W-312    | Window Clips  |
| W-2513   | Hinge Pins  |

## Soapstone Parts

|        | #pcs                        |   |
|--------|-----------------------------|---|
| W-276  | Exterior Back Stone         | 2 |
| W-277  | Exterior Small Top Stone    | 1 |
| W-278a | Exterior Large Top Stone    | 2 |
| W-279  | Interior Side Stone         | 1 |
| W-280  | Interior Under Front Stone  | 1 |
| W-281  | Interior Back Stone         | 1 |
| W-282  | Keystone Exterior Key Stone | 1 |
| W-283  | Keystone Door Stone         | 1 |
| W-284a | Exterior Over Door Stone    | 1 |
| W-284b | Exterior Under Door Stone   | 1 |
| W-284c | Exterior Under Front Stone  | 1 |
| W-285  | Exterior Left Side Stone    | 1 |

## Other Parts

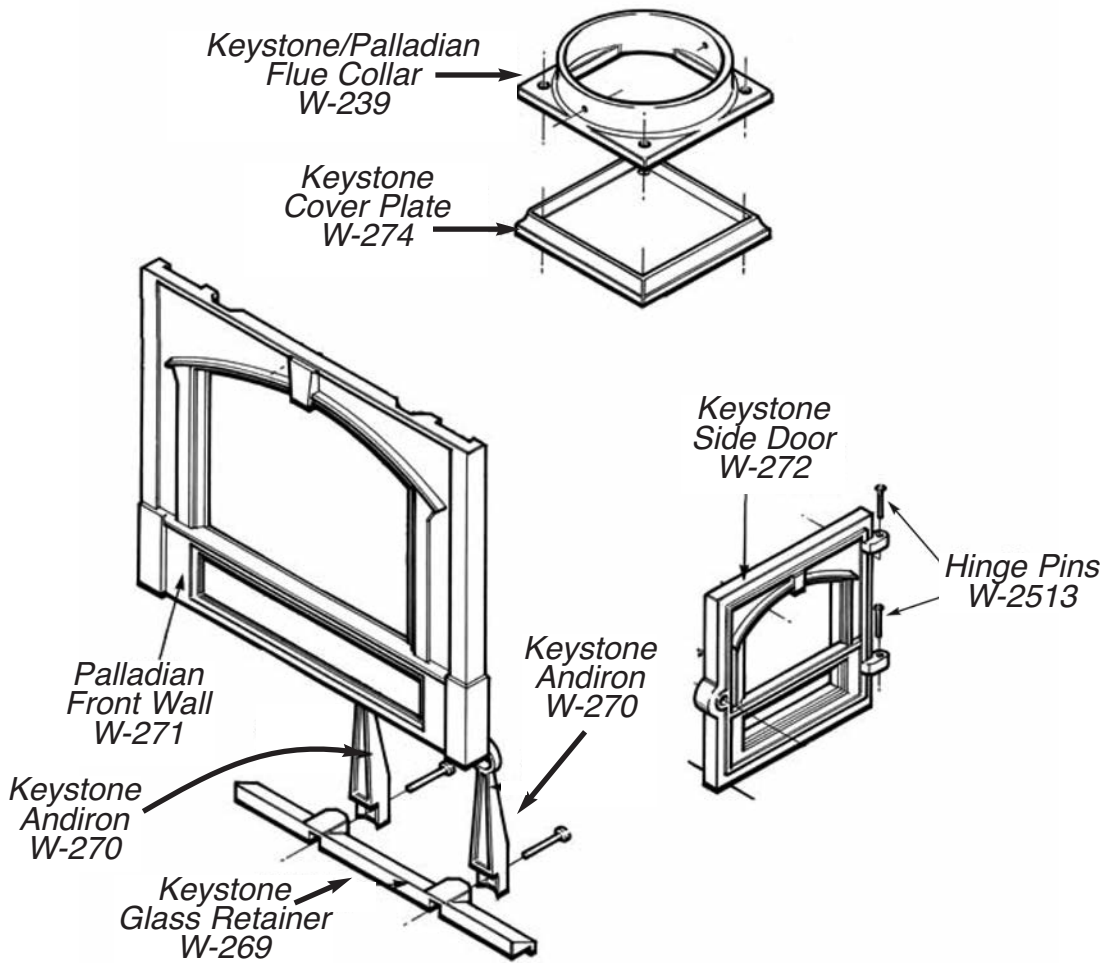
|        |                                       |
|--------|---------------------------------------|
| W-204  | Glass 11.125"x16"x 5mm- Pyroceram III |
| W-2404 | Black Phenolic Knob                   |

## Gasket List

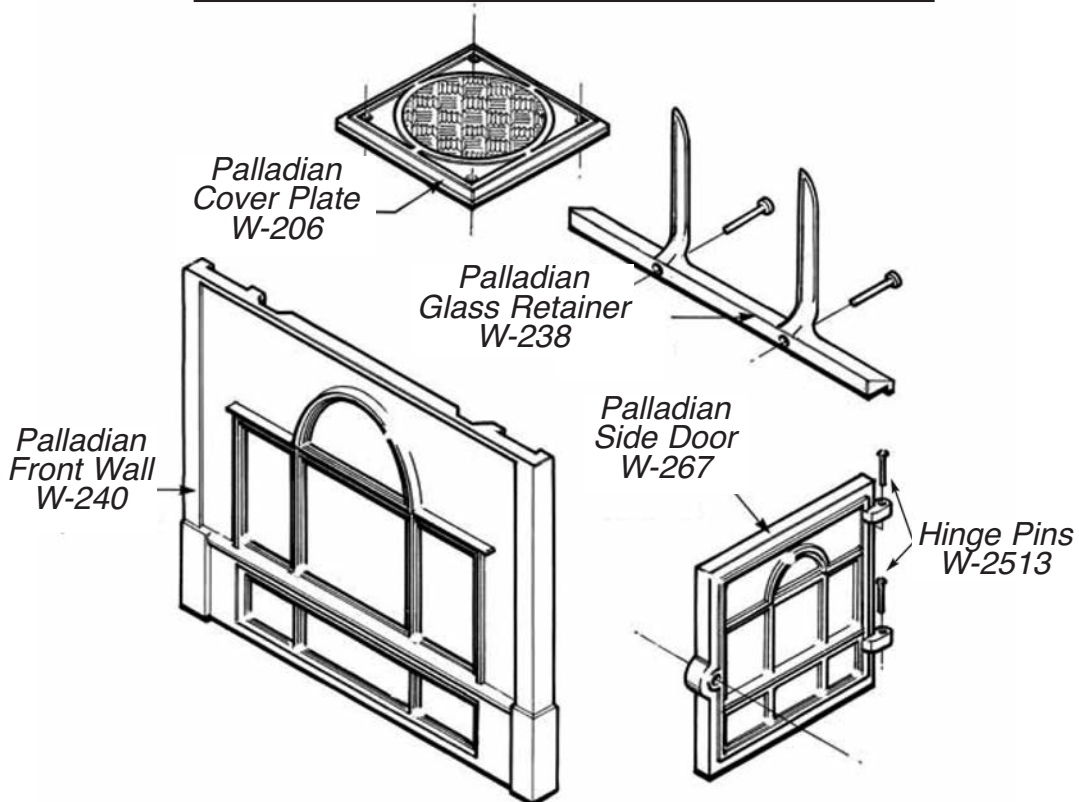
| Part #  | Desc.              | Location   | Density | Amount       |
|---------|--------------------|--|---------|--------------|
| 21063   | .375" gasket       | Keystone Loading Door  | LD1     | 3 Feet       |
| 21092   | .312" gasket       | Palladian Loading Door   |         | 3 Feet       |
| 21066   | .500" gasket       | Bypass Frame   | LD1     | 3 Feet       |
| 21066   | .500" gasket       | Ash Door   | LD1     | 3 Feet       |
| 21085   | .250" gasket       | Under Combustor  | LD2     | 3 Feet       |
| 21209   | .75" flat adhesive | Window Gasket  |         | 11 Feet      |
| 21085   | .250" gasket       | Flue collar & cover plate                                      | LD2     | 6 Feet       |
| W-1601  | 2" Interam Gasket  | Around the catalytic combustor <i>(built prior to 06/2013)</i> |         | 4 Feet       |
| W-1800  | Furnace Cement     |  |         | 1 Tube       |
| W-1605a | Gasket Glue        |  |         | .5 oz bottle |

A Full Gasket Maintenance Kit (202/204-MK) is available and includes the above listed gaskets (except interam gasket), furnace cement, gasket glue, and steel wool.

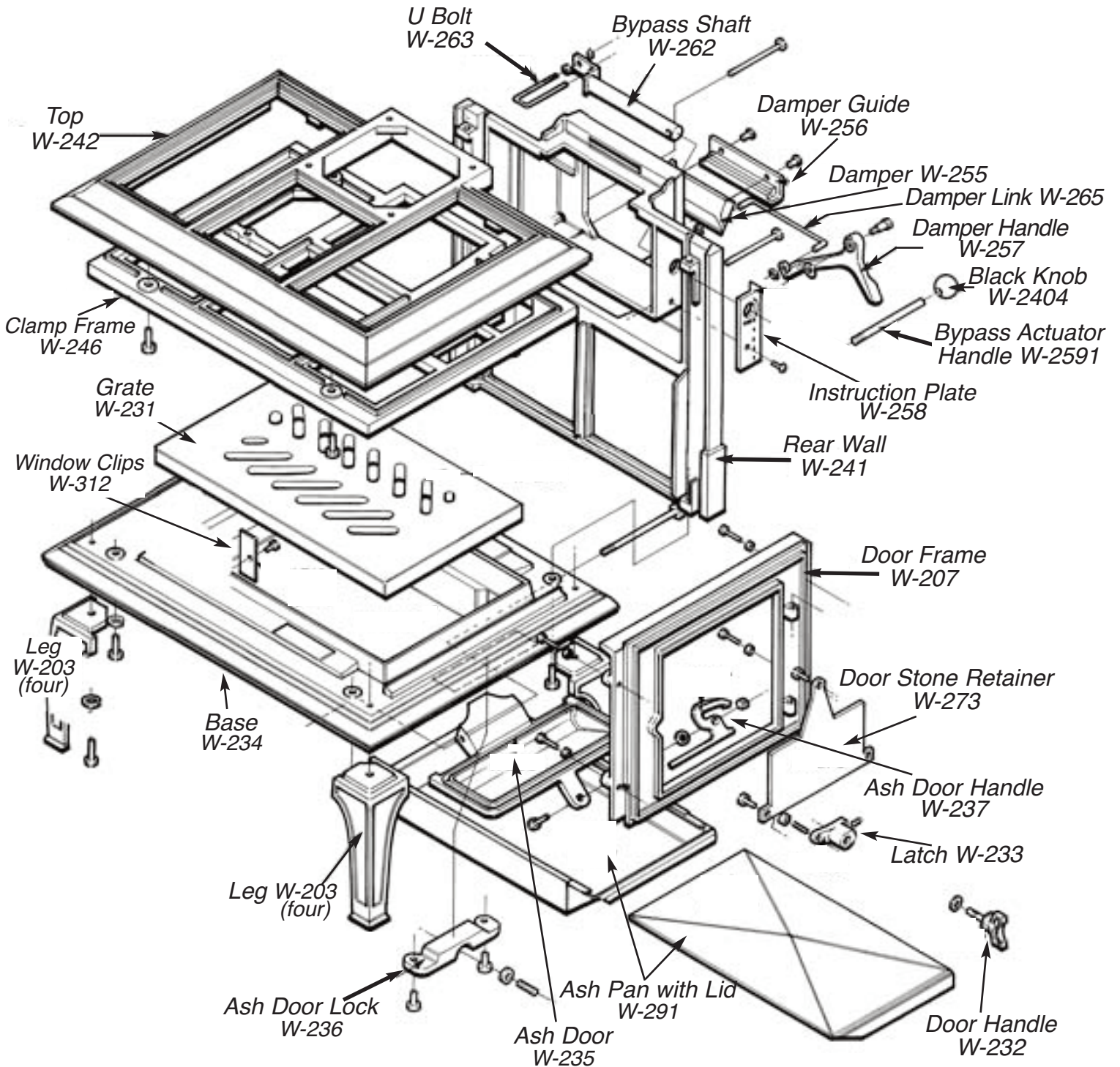
## KEYSTONE EXTERNAL PARTS



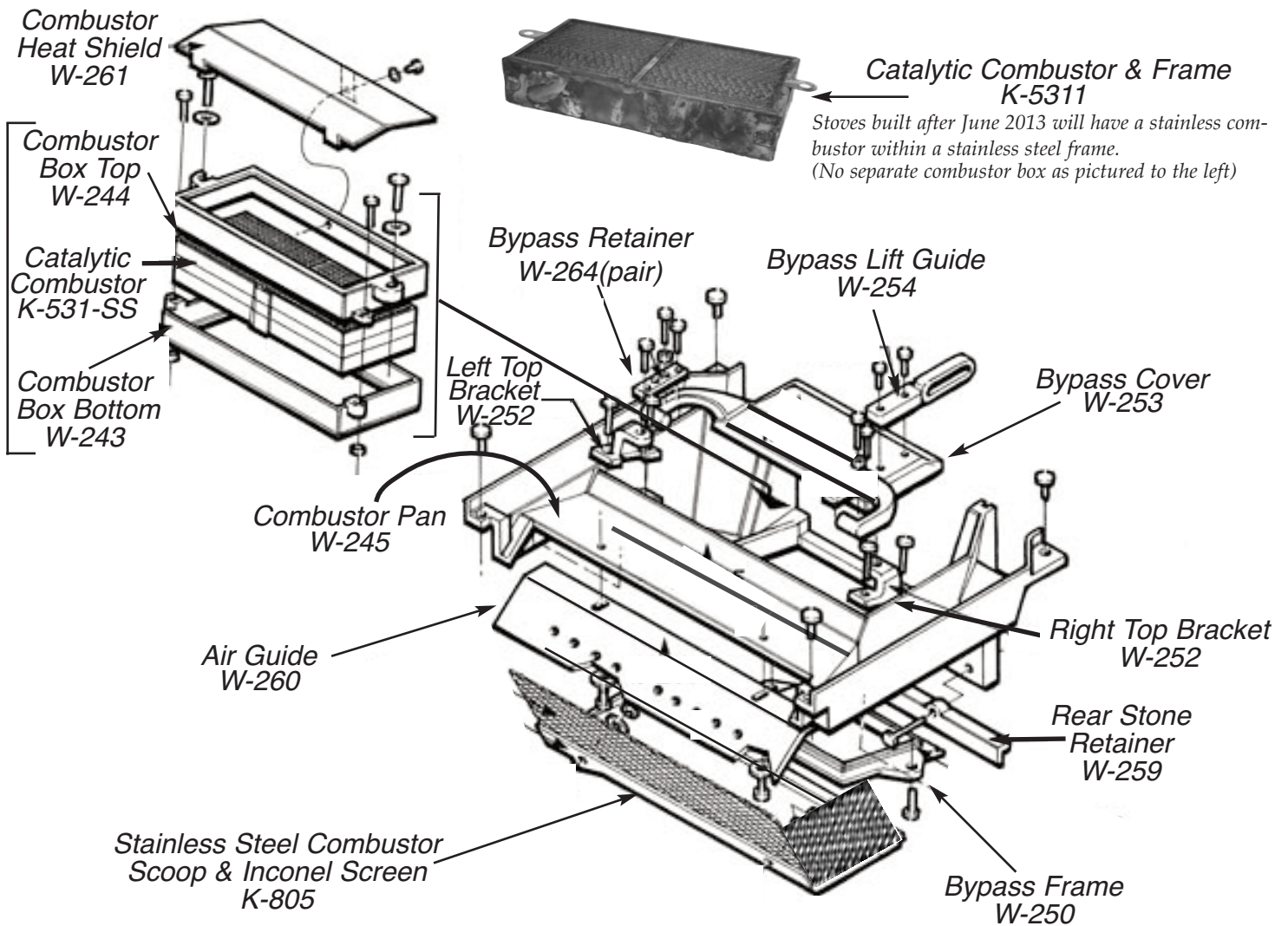
## PALLADIAN EXTERNAL PARTS



# KEYSTONE -PALLADIAN FRAME



## KEYSTONE -PALLADIAN UPPER INTERIOR



## KEYSTONE -PALLADIAN STONE

- W-276 Exterior Back Stone (x2)
- W-277 Exterior Small Top Stone
- W-278a Exterior Large Top Stone (x2)
- W-282 Exterior Keystone
- W-283 Keystone Door Stone
- W-284a Exterior Over Door Stone
- W-284b Exterior Under Door Stone
- W-284c Exterior Under Front Stone
- W-285 Exterior Side Stone
- W-279 Interior Side Stone
- W-280 Interior Under Front Stone
- W-281 Interior Back Stone
- W-204 Ceramic Glass (x2)

